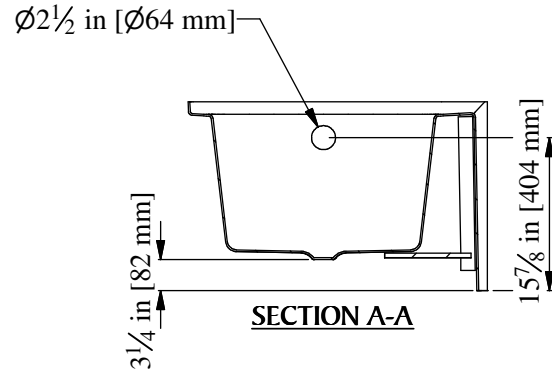
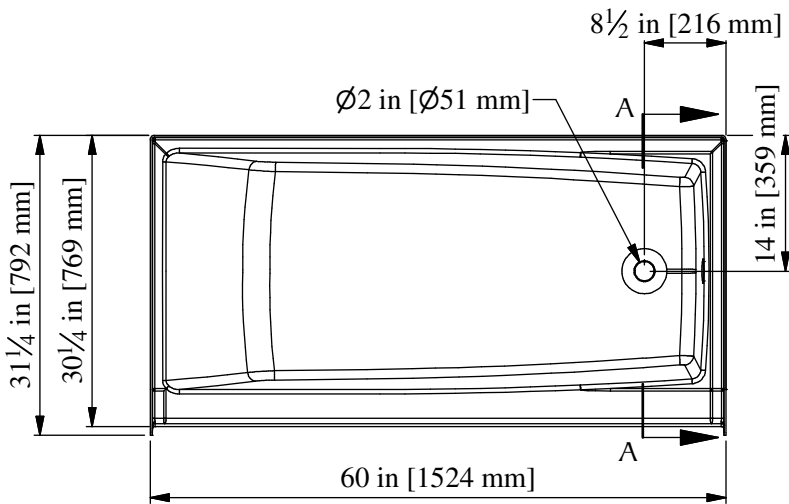


ELEVATION



SECTION A-A



PLAN

**60" [1524mm] Bathtub
w/ 18 1/2" [470mm] Threshold**

Right Hand Version (4631RX) Shown

PRODUCT SPECIFICATIONS:

- Certified to meet CSA B45.5/IAPMO Z124 Standard.
- Reinforced & slip resistant floor.
- Integral 1" [25mm] nailing flange.
- Factory drilled 2-1/2" overflow.
- Bathwell Dimensions (At Top): W-55 3/4" [1416mm]
D-24 1/2" [622mm]
H-14" [356mm]
- Bathwell Dimensions (At Bottom): W-46-1/2" [1181mm]
D-22 1/2" [572m]
- Bathwell Capacity (At Overflow): 48 gal. [182L]
- Water Level (At Overflow): 10 1/2" [267mm]
- Available without an overflow model becomes number(4631LXM or 4631RXM)
- All dimensions +/- 1/2" [12.8mm]
- Clarion Bathware reserves the right to change design and/or dimensions.
- Dimensions are the same for all other versions of this model.
- AcrylX™ applied acrylic surface

4631LX or 4631RX

6030SMINM - 60" Bathtub w/ 18 1/2" Apron & Let or Right Hand Drain

Clarion
BATHWARE
44 Amsler Ave.
Shippenville, PA 16254

Phone: (814) 226-5374
Toll Free: (800) 576-9228
Fax: (814) 226-0730
www.clarionbathware.com

Signatures For Approval:

Customer: _____
Arch./Engr: _____

Date:

Quote #: _____
Job Name: _____

DWG. #

RE4631LX or RX
-CUT

By: NMH

Date: 6/01/2021

IMPOTANT NOTICE

Clarion bathware reserves the right to change the design and/or dimensions of its products at any time. This drawing may have been updated since this publication was issued. Before placing an order for any product, refer to our website at www.clarionbathware.com to obtain the most current drawings for any products that you wish to purchase. Compare the date of revision of the drawing that you have with the one on the drawing on our website. If you do not have internet access, please call your sales representative or Clarion Bathware's sales department at 1-800-576-9228.